



FUNDIÓ DÚCTIL BENITO
Tel. 93 852 10 00

Camprodon

DESIGNER:

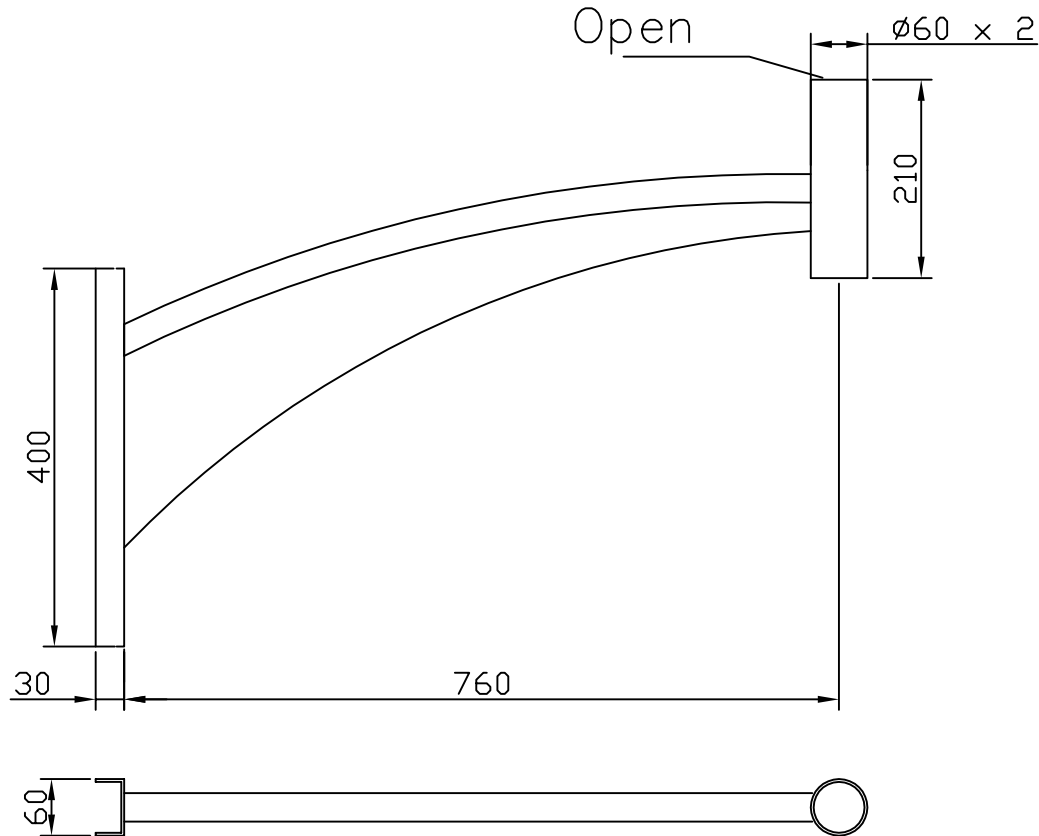
MANUFACTURER? Fundicio Ductil Benito

COTES: mm

SCALE: 1/8

IRCAM73

REFERENCE



DESCRIPTION: Wall bracket.

MATERIAL: Made of galvanized steel,
microtextured black colour
finished.

FIXING: To wall using 2 expansion bolts
or pins.
For 60mm diameter TOP
luminaires

v1 - 11/06/10.

F.D.B. Involved with her continuous improvement line of her products, reserves the right to modify measures, materials and/or finishings without prior notice.



FUNDICIÓ DÚCTIL BENITO
Tel. 93 852 10 00

Camprodon

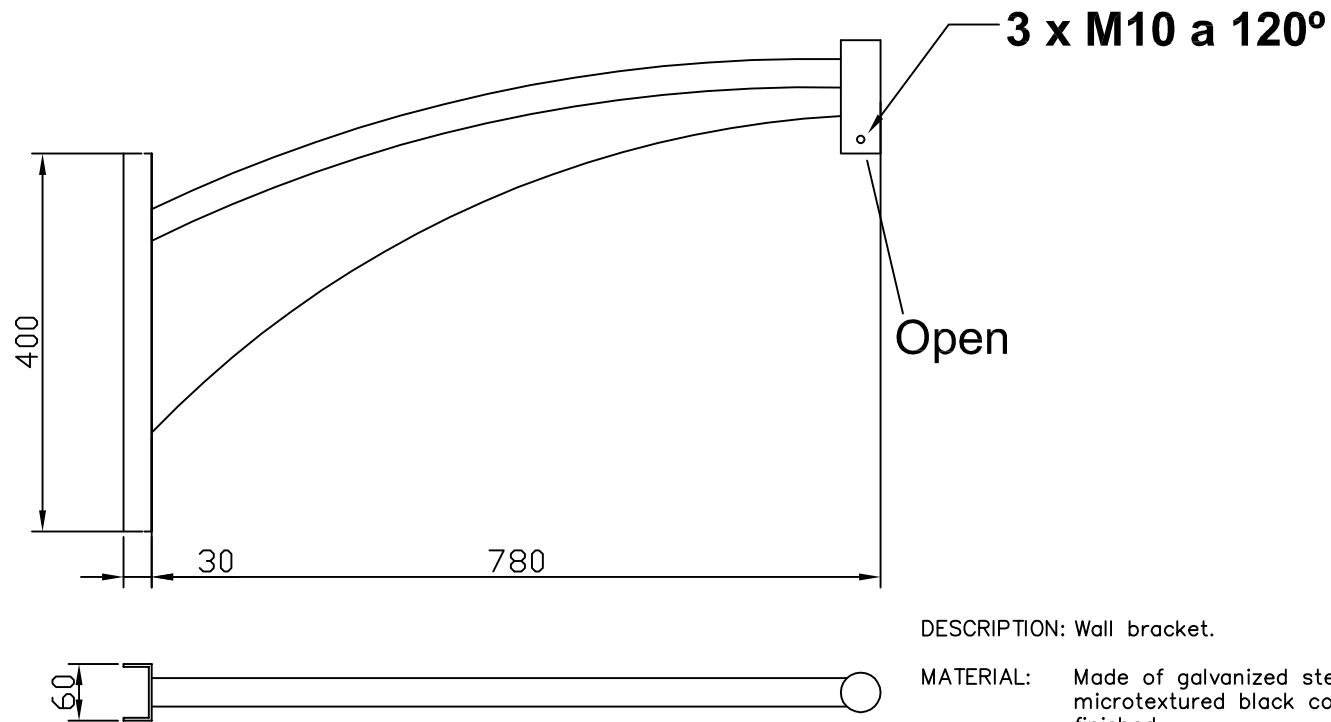
DESIGNER:

MANUFACTURER? Fundicio Ductil Benito

COTES: mm

SCALE: 1/8

IRCAM73V
REFERENCE



DESCRIPTION: Wall bracket.

MATERIAL: Made of galvanized steel,
microtextured black colour
finished.

FIXING: To wall using 2 expansion bolts
or pins.
For hanging luminaires, with
special fitting (3 M10 120°)

v1 - 11/06/10.



FUNDICIÓ DÚCTIL BENITO
Tel. 93 852 10 00

Camprodon

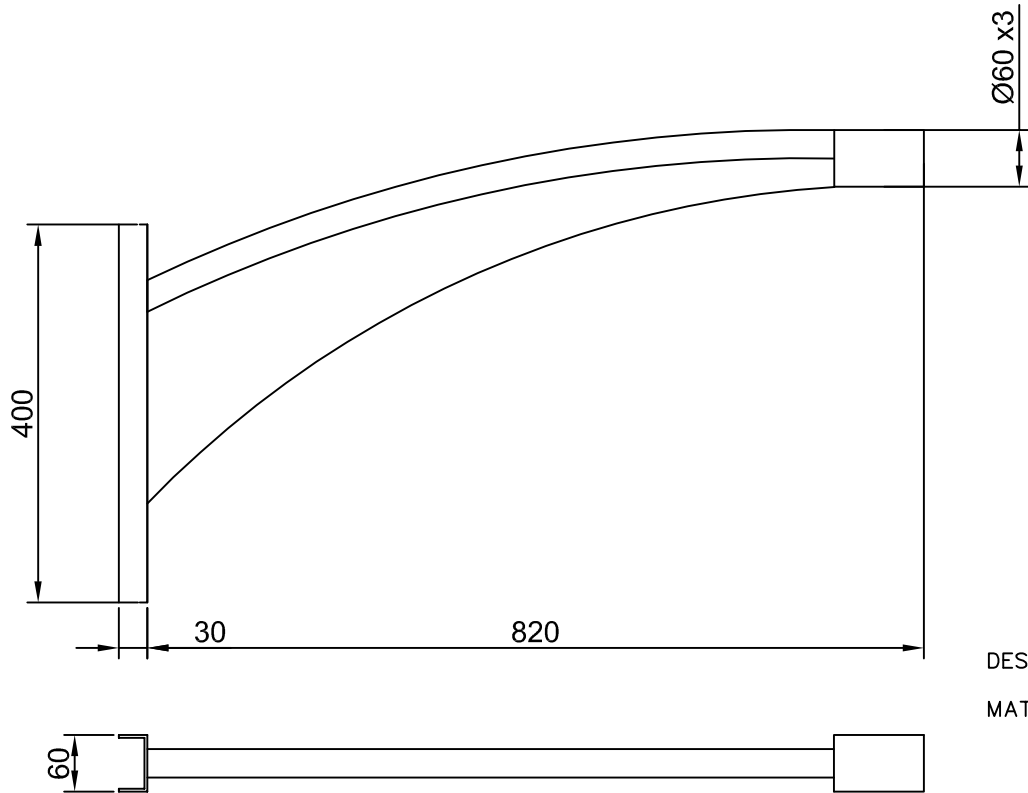
DESIGNER:

MANUFACTURER? Fundicio Ductil Benito

COTES: mm

SCALE: 1/8

IRCAM73H
REFERENCE



DESCRIPTION: Wall bracket.

MATERIAL: Made of galvanized steel,
microtextured black colour
finished.

FIXING: To wall using 2 expansion bolts
or pins.
For 60mm diameter horizontally
fitted luminaires

v1 - 11/06/10.